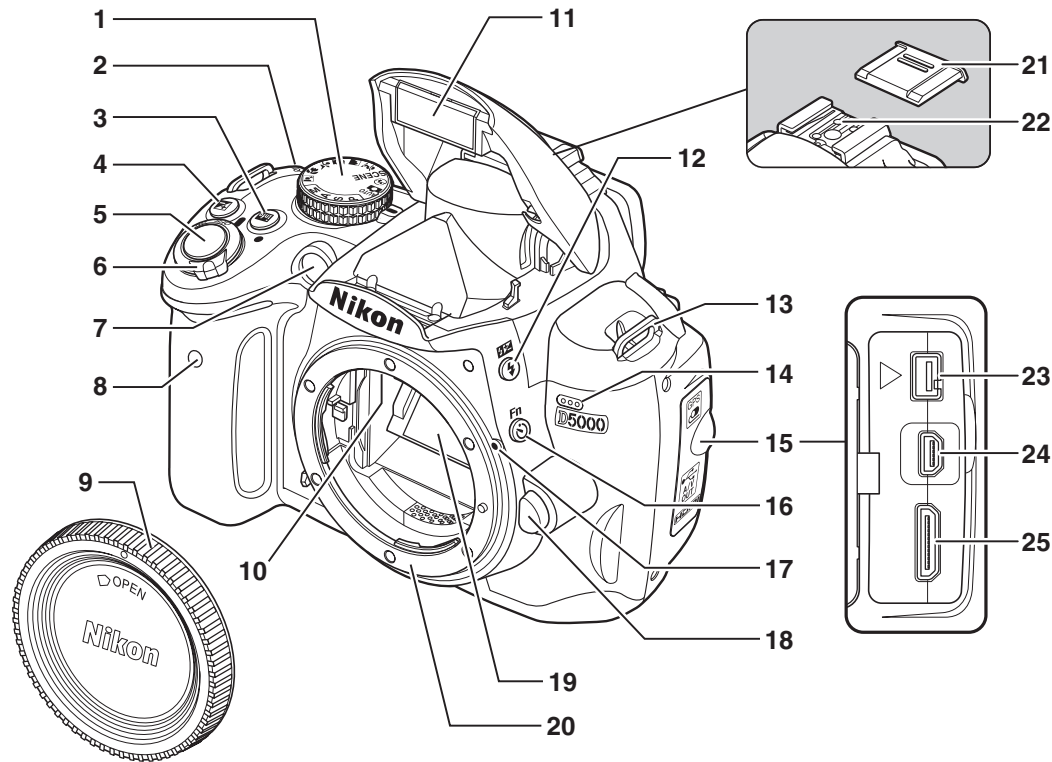


Getting to Know the Camera

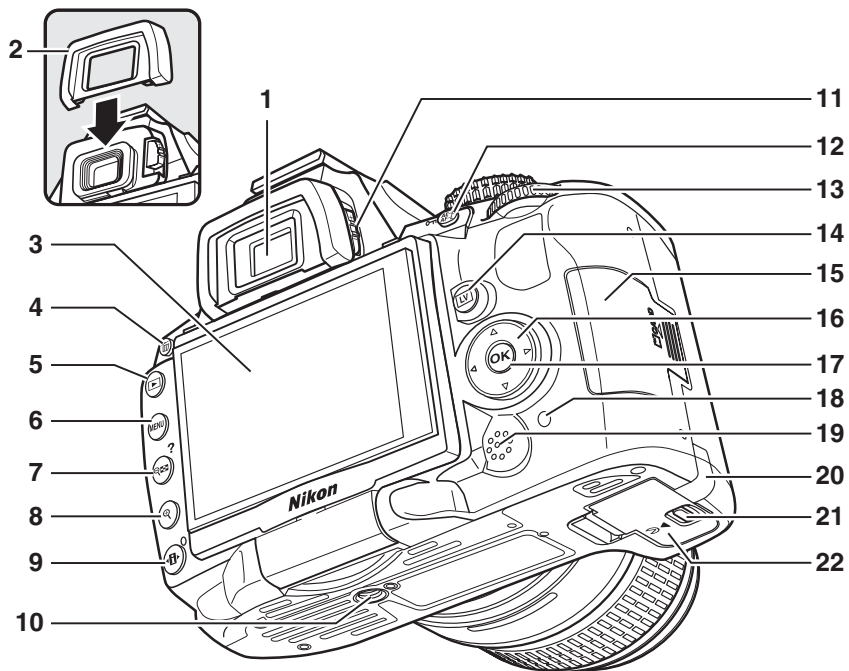
Take a few moments to familiarize yourself with camera controls and displays. You may find it helpful to bookmark this section and refer to it as you read through the rest of the manual.

The Camera Body



1 Mode dial..... 5	8 Infrared receiver 68	18 Lens release button..... 19
2 Focal plane mark (☉) 61	9 Body cap	19 Mirror 42, 208
3 info (information) button..... 8	10 CPU contacts	20 Lens mount 61
Two-button reset button 78	11 Built-in flash..... 70	21 Accessory shoe cover..... 198
4 ☑ (exposure compensation) button 90	12 ⚡ (flash mode) button 70	22 Accessory shoe (for optional flash unit)..... 198
⊗ (aperture) button 84	☑ (flash compensation) button..... 93	23 Accessory terminal 203
Flash compensation button 93	13 Eyelet for camera strap	24 USB connector
5 Shutter-release button 32	14 Microphone 51	Connecting to a computer 135
6 Power switch..... 28	15 Connector cover	Connecting to a printer.. 136
7 AF-assist illuminator 55	16 ☺ (self-timer) button 69	A/V connector..... 132
Self-timer lamp 68	Fn (function) button 163	25 HDMI mini-pin connector
Red-eye reduction lamp 72	17 Mounting index..... 18 133

The Camera Body (Continued)



1 Viewfinder eyepiece..... 25	7 (thumbnail/playback zoom out) button.....122	14 (live view) button Taking photographs..... 41
2 DK-24 rubber eyecup	? (help) button..... 13	Shooting movies..... 49
3 Monitor Viewing settings8 Live view 41 Viewing pictures 39 Full-frame playback..... 116	8 (playback zoom in) button124	15 Memory card slot cover 22
4 (delete) button Deleting pictures 40 Deleting pictures during playback..... 126	9 (information edit) button 9 Two-button reset button.....78	16 Multi selector 14
5 (playback) button .. 39, 116	10 Tripod socket	17 (OK) button..... 14
6 MENU (menu) button 13, 145	11 Diopter adjustment control.....25	18 Memory card access lamp22, 32
	12 (AE-L/AF-L) button59, 164	19 Speaker
	13 Command dial..... 10	20 Power connector cover for optional power connector 204
		21 Battery-chamber cover latch 17
		22 Battery-chamber cover..... 17